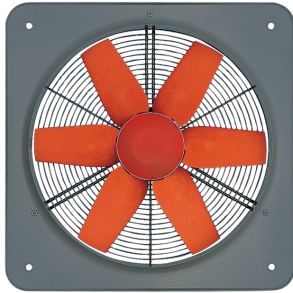


Technical Data Sheet

CODE 42254

MP 254 M

Medium-pressure plate axial fans

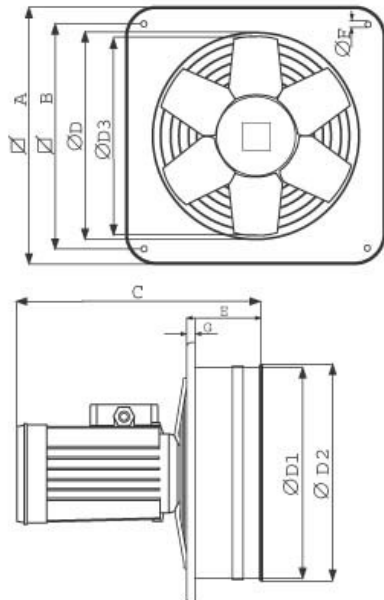


Certifications

TECHNICAL AND PERFORMANCE DATA

Absorbed Current at 220 V (A)	0,29	Nominal Diameter (mm)	250
Absorbed Current at 240 V (A)	0,29	Number of Poles	4
Absorbed Current max (A)	0,29	Voltage (V)	220-240
Absorbed Power at 220 V (W)	60	Weight (Kg)	6,1
Absorbed Power at 240 V (W)	65	Delivery max (l/s)	319
Absorbed Power max (W)	65	Delivery max (m ³ /h)	1150
Frequency (Hz)	50	Pressure max (mmH2O)	13
Insulation Class	I°	Pressure max (Pa)	127
IP	55	RPM	1400
Max ambient temperature for continuous operation (°C)	70	Sound Pressure level Lp [dB (A)] 3m	53

DIMENSIONS



Size A (mm)	320
Size B (mm)	280
Size C (mm)	279
Size D (mm)	∅ 256
Size D1 (mm)	∅ 258,5
Size D2 (mm)	∅ 264
Size D3 (mm)	∅ 250
Size E (mm)	92
Size F (mm)	∅ 8
Size G (mm)	10

PER INFORMAZIONI:

Servizio al Cliente: tel +39 02 90699395 premendo 1 dopo messaggio registrato (consulenza su prodotti e impianti)

Pre & Post Vendita: fax +39 02 90699302

Email prevendita: prevendita@vortice-italy.com

Technical Data Sheet

CODE 42254

MP 254 M

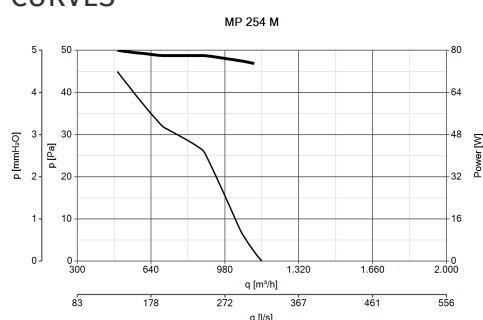
Medium-pressure plate axial fans



DESCRIPTION

- Nominal diameter 250 mm
- Wall-mounting panel manufactured from phosphated pressed steel, polyester powder coated with hammered effect finish, guaranteeing long-term resistance to atmospheric agents.
- Ventilation port fashioned in one piece with the panel and gauged to optimize air flow.
- Protective grille (in accordance with UNI ISO 13857 standard) combining the function of motor bracket, made of electrically welded steel with epoxy paint finish, colour black. Easy removal simplifies maintenance and cleaning of the fan.
- 1 speed asynchronous single phase AC motor with shaft turning in double shielded ball bearings, insulation class F.
- Maximum air flow 1,150 m³/h
- Impeller with 6 wing profile blades keyed to a diecast aluminium hub and dynamically balanced (UNI ISO 1940 – Balancing class 6.3), optimized to deliver maximum performance and low noise levels, moulded from filled polypropylene for superior dimensional stability and resistance to atmospheric agents.
- Vortice speed controllers.

CURVES



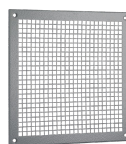
ACCESSORIES



IRM 30
Code 12921



PGR 250
(PERSIANA
GRAVITA')
Code 50150



TRA 250
(TELAIO CON
RETE ANTINF.)
Code 51150



DPU 250
(DISTANZIATORE)
Code 52151



IREM INVERTER
4 M
Code 12815

PER INFORMAZIONI:

Servizio al Cliente: tel +39 02 90699395 premendo 1 dopo messaggio registrato (consulenza su prodotti e impianti)

Pre & Post Vendita: fax +39 02 90699302

Email prevendita: prevendita@vortice-italy.com